

# CUNO™ BH Series

ASME Code Bag Filter Housings

CUNO BH Series housings, for use with conventional bag filters or DF Series filter elements, are available in single filter element configurations for either #1 or #2 filter sizes. The BH Series housings, offered in either side (Model 1BHS) or top entry (Model 1BST) flow paths, are constructed with carbon steel or 316L Stainless Steel. The BH series also offers a choice of either flange (Model 1BHT) or NPT (Model 1BHS) inlet and outlet connections. All BH Series housings include either a bag filter or a DF Series element 316 stainless steel filter support basket. The housings are rated to a design pressure of 150 psi @ 300°F and is manufactured and stamped to comply with the ASME code. Housing installation in new or existing systems is simplified by the band clamp legs which can accommodate up to a 12 inch adjustment in floor to outlet height.

## BH Series Filter Housing Specifications

Specifications	Housing Size	
	#1	#2
Material	Carbon Steel and 316L SS	
Gasket (s)	Nitrile Standard	
Connection Size/Type	2" ANSI Flange or NPT	
Maximum Pressure & Temperature	150 PSI @ 300°F* (10.4 bar @ 149°C)	
Shipping Weight (lbs/kg)		
Model 1BHS	50 / 23	95 / 43
Model 1BHT	65 / 30	105 / 48
Basket Weight (lbs./kg)	8 / 3.6	12 / 5.4
Leg Weight (lbs/kg)	4 / 1.8	

\* Maximum temperature with Nitrile gasket is 250° F (121° C). Consult factory for other gasket options.

## Features & Benefits

### Rugged, Heavy Duty, ASME Code Design.

- Designed for use in most demanding applications.

### Direct Sealing of Cover on Bag Filter (top entry model)

- Keeps bag filters properly seated in baskets
- No fluid contamination above bag

### Swing Bolt Design

- Easy vessel opening and closing.

### Drains at Lowest Point in Housing

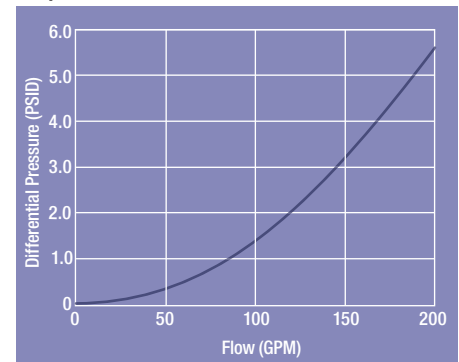
- No residential build-up or fluid loss

### Designed for use with Standard or Speciality Bag Filters (DF Series Filters)

- Flexibly for Using Optimum Filter for the Application



Graph 1: Flow vs. Differential Pressure



Pressure drop graph is for Size #2 bag housings based on an aqueous solution with viscosity of 1 cps with perforated support basket but with no bag installed. Consult the appropriate bag information to determine the total system pressure drop.

## Applications

Process Waters

Parts Washers

Machine Coolants

Paints and Coatings

Production Wells

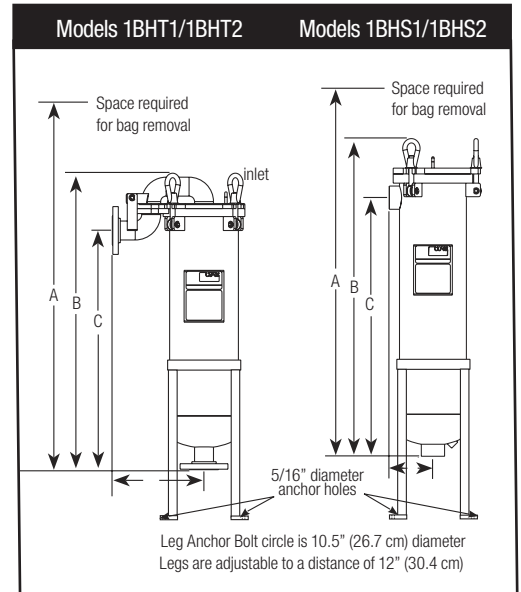
## Housing Dimensions\*

Model	Vessel O.D.	Dimensions (inches / cm)			
		A	B	C	D
1BHT1	8.6 in (21.9 cm)	36 / 91.4	24.3 / 61.8	16 / 40.6	12.1 / 30.6
1BHT2		65 / 165.1	38.3 / 97.3	30 / 76.2	12.1 / 30.6
1BHS1		38 / 96.5	27.6 / 70.6 (max.)	21.2 / 53.8 (max.)	5.7 / 14.5
1BHS2		65 / 165.1	42.8 / 108.7 (max.)	36.2 / 91.9 (max.)	5.7 / 14.5

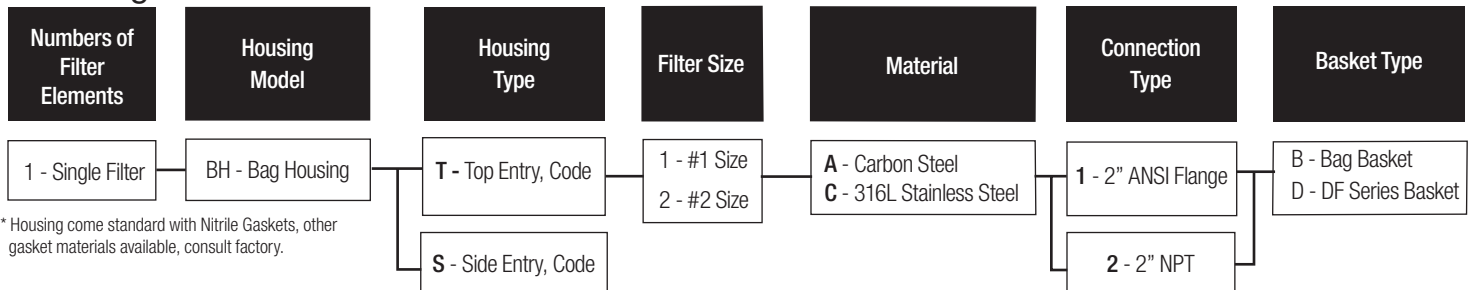
\* Dimensions are for reference only.

## Accessories

Description	Part No.
Bag Basket, Size #1, 316 SS	60428-32
Bag Basket, Size #2, 316 SS	60428-31
DF Series Basket, Size# 1, 316SS	60382-32
DF Series Basket, Size# 2, 316SS	60382-31
Bag Insertion Tool	60429-31



## Ordering Guide\*



\* Housing come standard with Nitrile Gaskets, other gasket materials available, consult factory.

### Important Notice

CUNO MAKES NO WARRANTIES, EXPRESS OR IMPLIED, INCLUDING, BUT NOT LIMITED TO, ANY IMPLIED WARRANTY OF MERCHANTABILITY OR FITNESS FOR A PARTICULAR PURPOSE. Since a variety of factors can affect the use and performance of a CUNO product in a particular application, some of which are uniquely within the user's knowledge and control, user is responsible for determining whether or not the CUNO product is fit for a particular purpose and suitable for user's method of application.

### Warranty

Seller warrants its equipment against defects in workmanship and material for a period of 12 months from date of shipment from the factory under normal use and service and otherwise when such equipment is used in accordance with instructions furnished by Seller and for purposes disclosed in writing at the time of purchase, if any. Any unauthorized alteration or modification of the equipment by Buyer will void this warranty. Seller's liability under this warranty shall be limited to the replacement or repair, F.O.B., point of manufacture, of any defective equipment or part which, having been returned to the factory, transportation charges prepaid, has been inspected and determined by Seller to be defective. THIS WARRANTY IS IN LIEU OF ANY OTHER WARRANTY, EITHER EXPRESSED OR IMPLIED, AS TO DESCRIPTION, QUALITY, MERCHANTABILITY, FITNESS FOR ANY PARTICULAR PURPOSE OR USE, OR ANY OTHER MATTER. Under no circumstances shall Seller be liable to Buyer or any third party for any loss of profits or other direct or indirect costs, expenses, losses or consequential damages arising out of or as a result of any defects in or failure of its products or any part or parts thereof or arising out of or as a result of parts or components incorporated in Seller's equipment but not supplied by the Seller.

**Your Local CUNO Distributor:**



**CUNO Incorporated**  
400 Research Parkway  
Meriden, CT 06450  
U.S.A.  
(800) 243-6894  
(203) 237-5541  
Fax (203) 630-4530  
www.CUNO.com

CUNO is a trademark of 3M Company used under license.  
3M is a trademark of 3M Company.

© 2008 3M Company. All rights reserved.  
LITHSBHASME1.1108  
70-0202-2735-4